

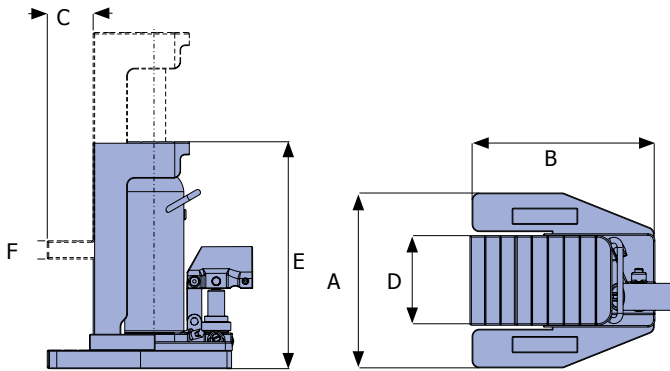
## MODEL NO. DTJ SERIES

The DTJ-Series toe jacks are a premium range ideally suited for lifting heavy machinery or equipment when access height is restricted.

Toe lift capacities range from 2.5-25 ton and all models feature a keyed toe with spring return piston.

**DURAPAC**  
ENGINEERED FOR RELIABILITY

TRACK JACKS & WAGON STABILISERS



### CHROME PLATED

steel piston rod resists corrosion and extends life

### DOVETAIL DESIGN

for perfect alignment of toe during lift (25 ton jack does not have dove tail design)

### EASE OF USE

all jacks have been designed for ease of use and handling

### CARBON STEEL BASE

is welded to ensure increased resistance to high pressure and provide greater durability

### OPERATING HANDLE

included with all models

### 360° ROTATING

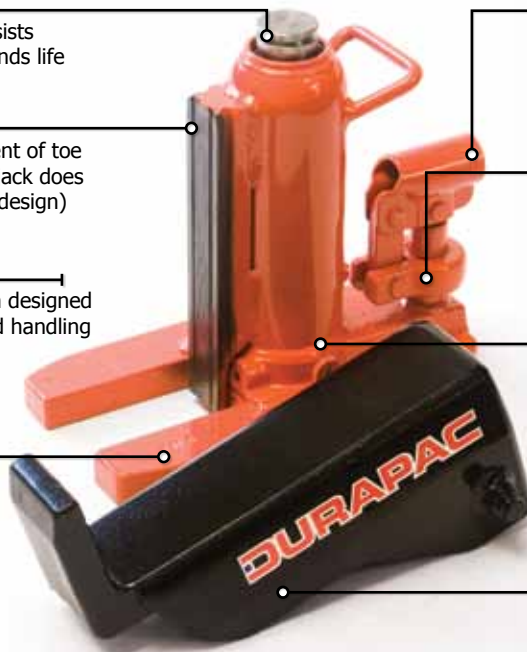
pump handle on models 2.5-15 ton

### INTERNAL STROKE LIMITER

prevents piston rod over-extension

### LIFTING TOE

manufactured from high strength alloy steel



Model No.	Jack Capacity ton* / kN	A Jack Width (mm)	B Jack Depth (mm)	C Toe Length (mm)	D Toe Width (mm)	E Collapsed Height (mm)	F Min. Toe Height (mm)	Stroke (mm)	Weight (kg)
<b>DTJ-2.5</b>	2.5 24.5	126	233	60	50	232	19	110	11.6
<b>DTJ-5</b>	5 49.0	182	259	60	75	282	22	130	22.0
<b>DTJ-10</b>	10 98.0	215	275	63	85	320	28	140	32.0
<b>DTJ-15</b>	15 147.0	238	297	60	85	328	30	140	42.0
<b>DTJ-25</b>	25 245.1	320	368	60	125	364	34	150	100.0

\* Nominal Jack Capacity in ton - see kN values for actual capacity

www.specialisedforce.com.au