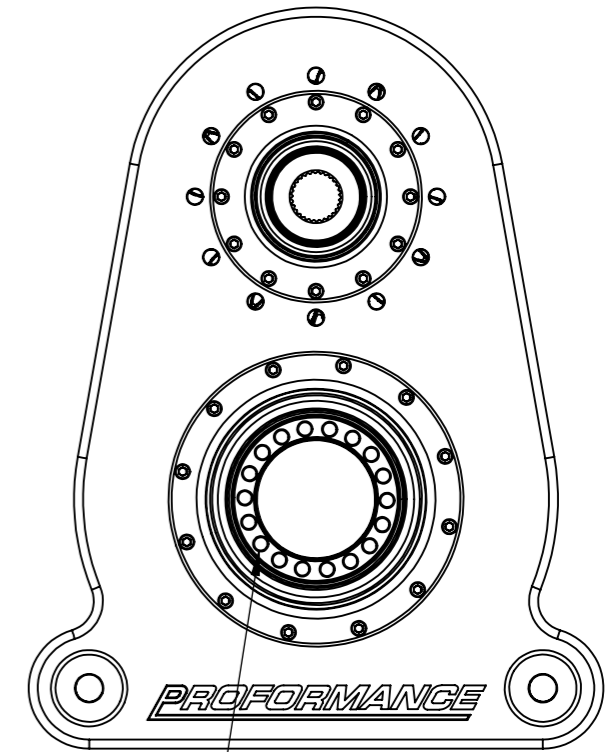
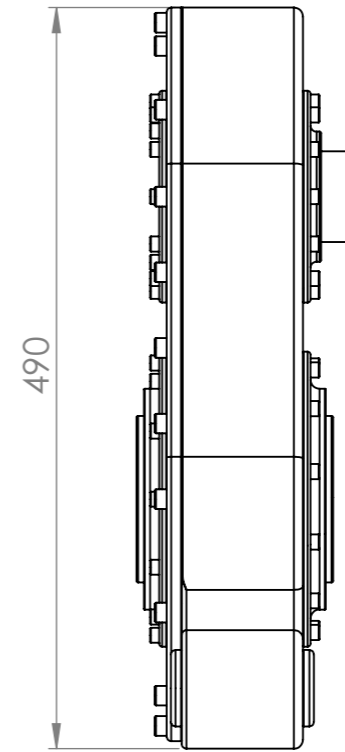
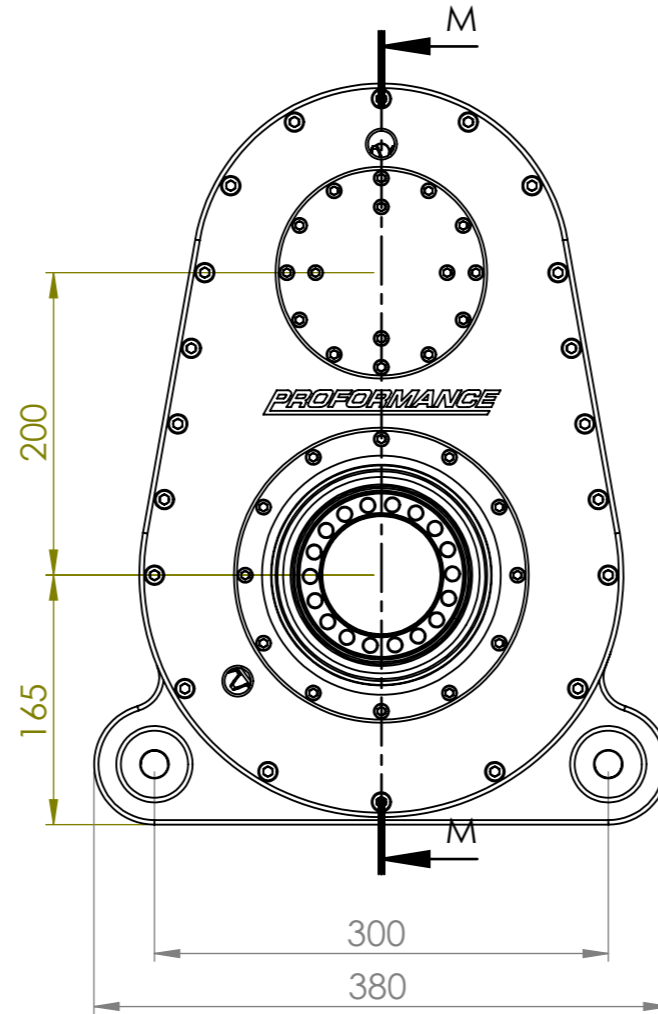
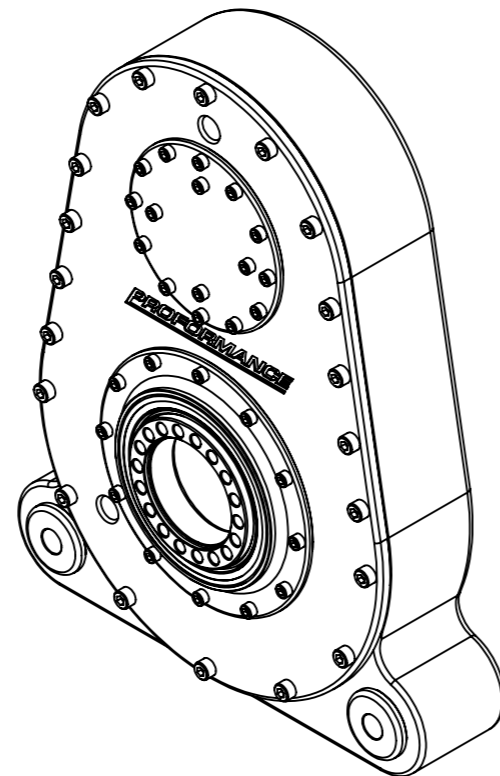


SECTION M-M



M10 x 1.25 - 94mm PCD  
SUIT SERIES 15 108mm OD CV JOINT



UNLESS OTHERWISE SPECIFIED: DIMENSIONS ARE IN MILLIMETERS SURFACE FINISH: TOLERANCES: LINEAR: ANGULAR:			FINISH:	APPLY 0.5 RAD TO ALL TURNED EDGES UNLESS STATED OTHERWISE		
REV	DATE	REASON FOR REVISION	TITLE:			
01			TRANSFER CASE GENERAL ARRANGEMENT		A3	
02			GENERAL ARANGEMENT ONLY			
03			DATE	NAME	MATERIAL:	
04						
DRAWN						
CHK'D						
MFG				WEIGHT: g	SCALE:1:2	
					SHEET 1 OF 13	