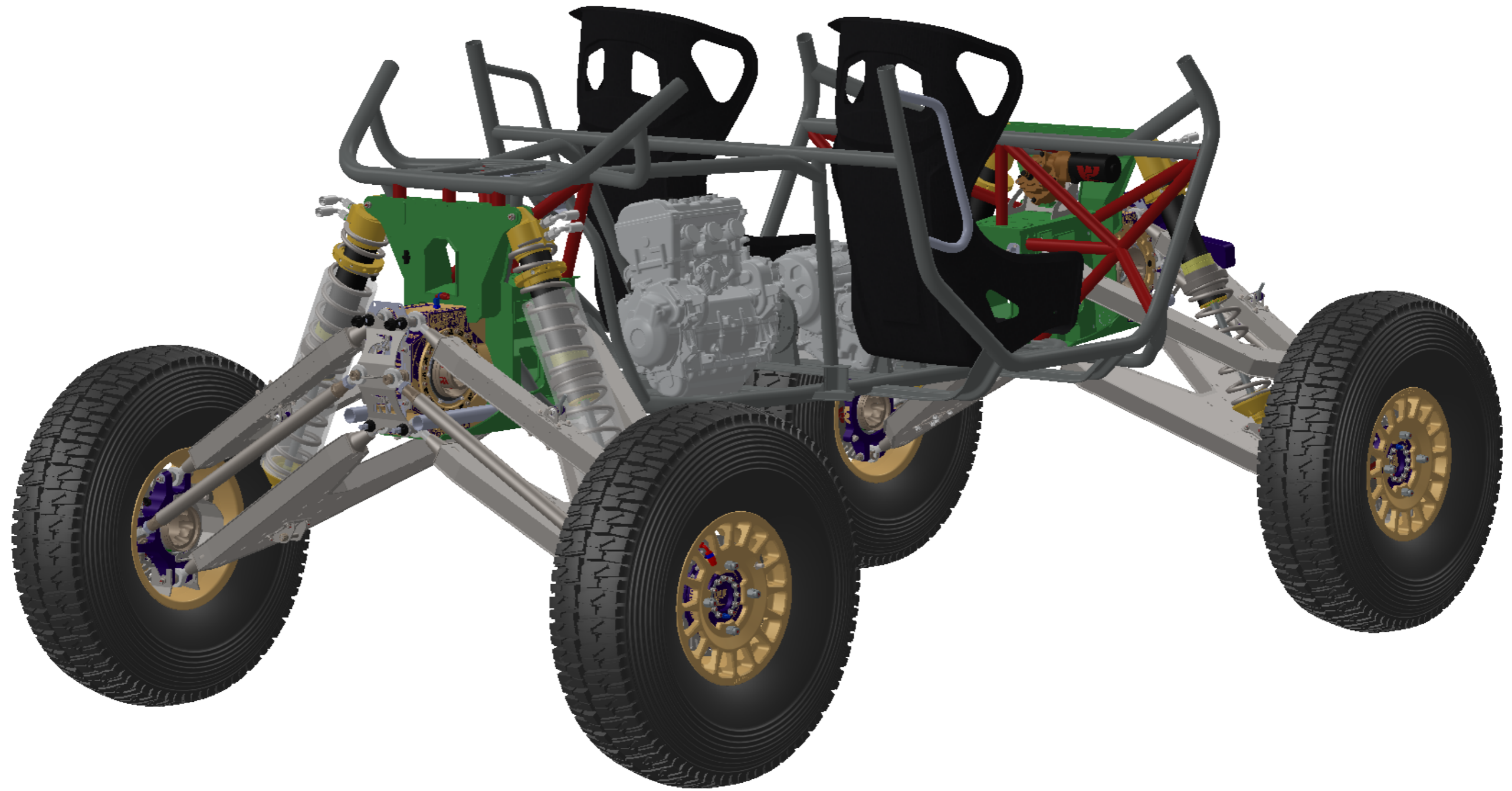
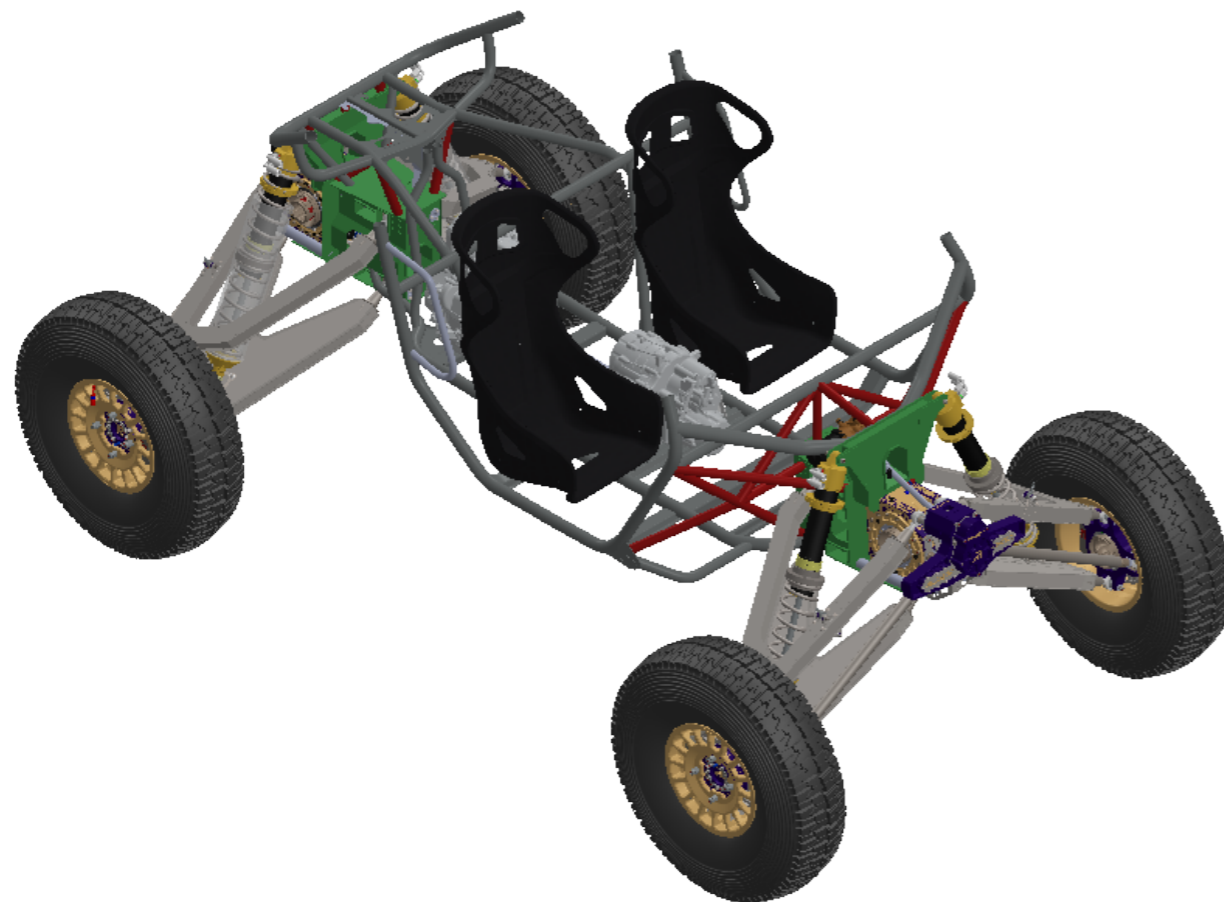
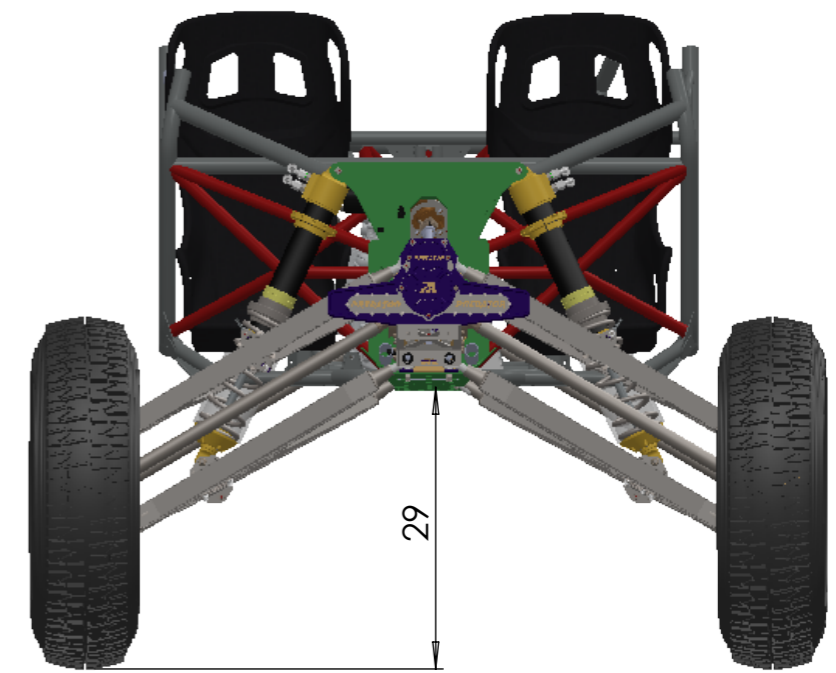
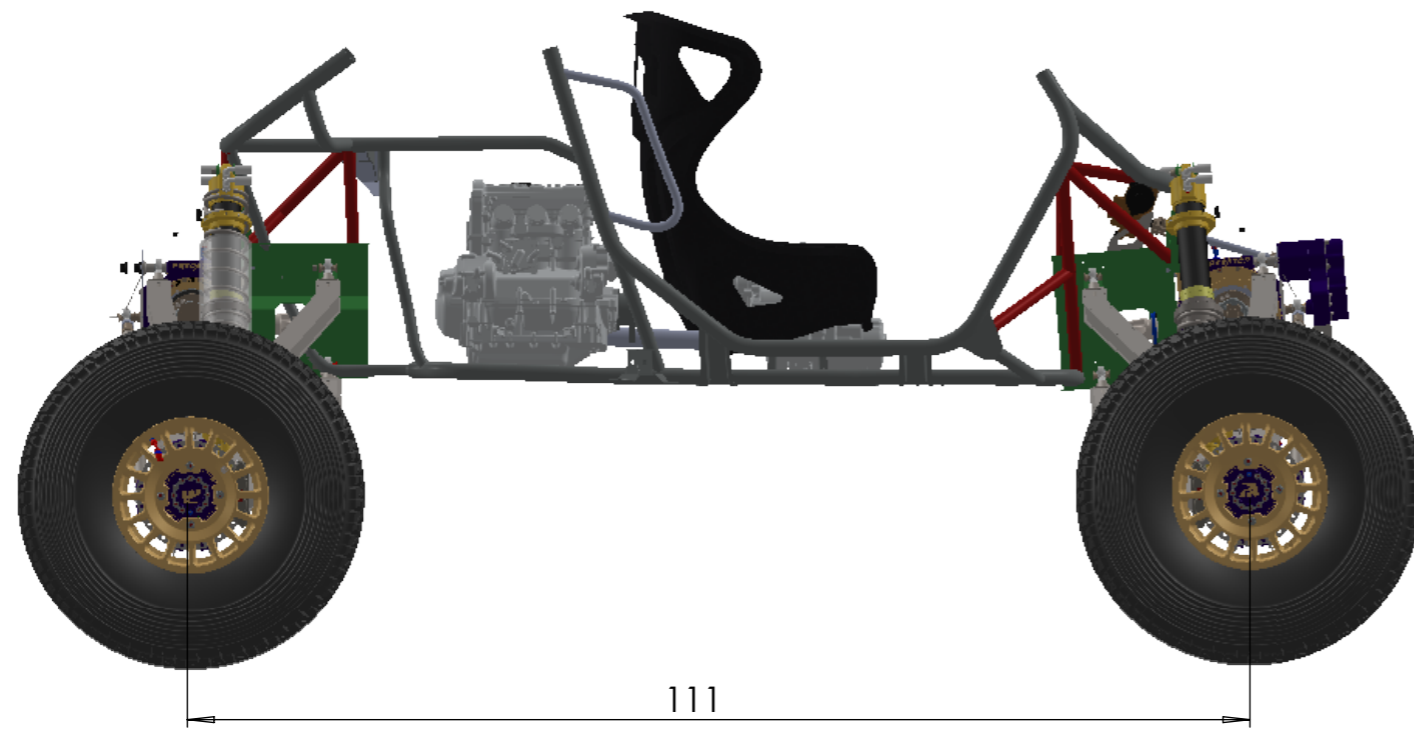


UNLESS OTHERWISE SPECIFIED: DIMENSIONS ARE IN MILLIMETERS SURFACE FINISH: TOLERANCES: LINEAR: ANGULAR:			Heat Treatment:  Finish:	APPLY 0.5 RAD TO ALL TURNED EDGES UNLESS STATED OTHERWISE	<b>PROFORMANCE</b> <sup>®</sup>
REV	DATE	REASON FOR REVISION		TITLE:	
01					
02					
03					
04					
	DATE	NAME	MATERIAL:		
DRAWN				PART NUMBER: Reaper YXZ Chassis GA	
CHK'D					
MFG			WEIGHT: g	SCALE:1:20	A3 SHEET 1 OF 11

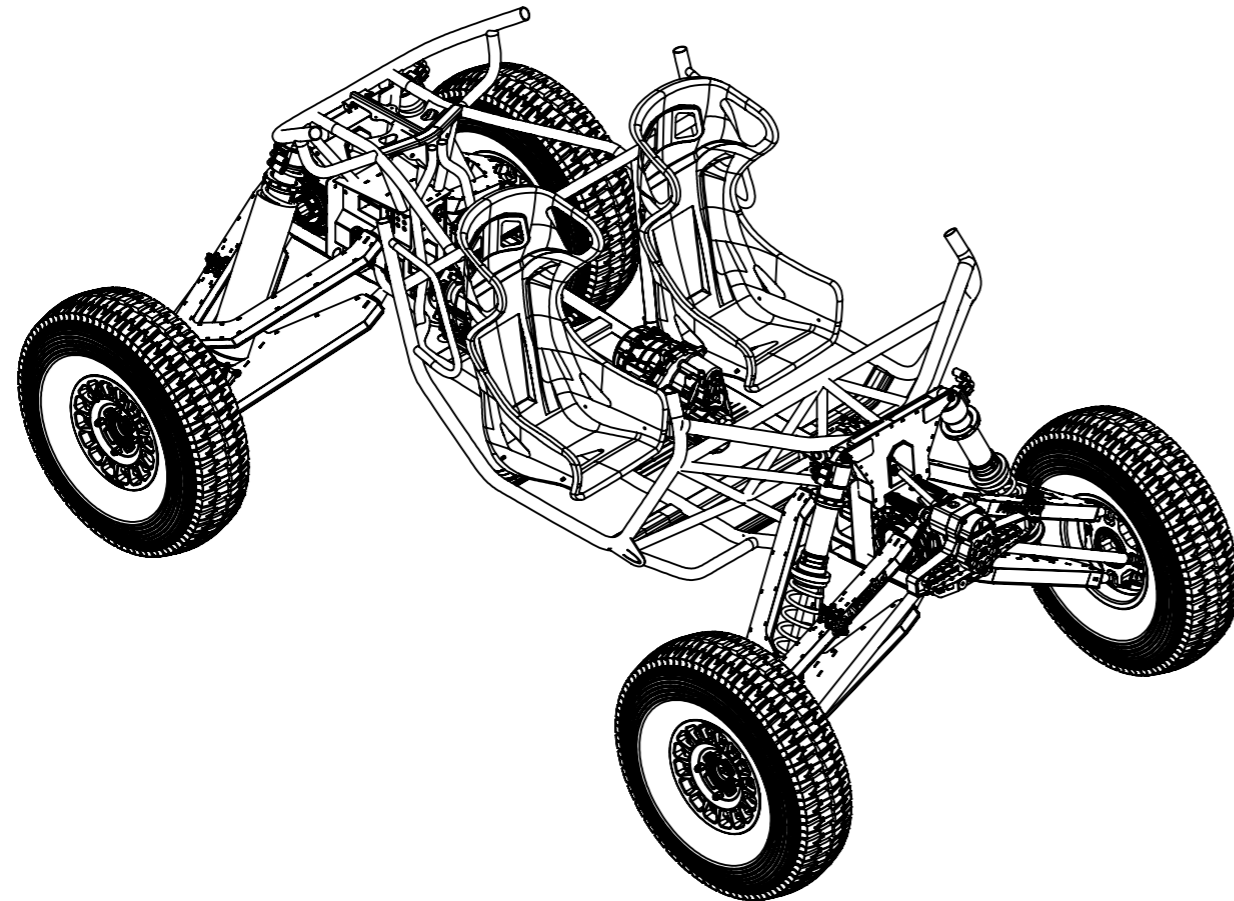
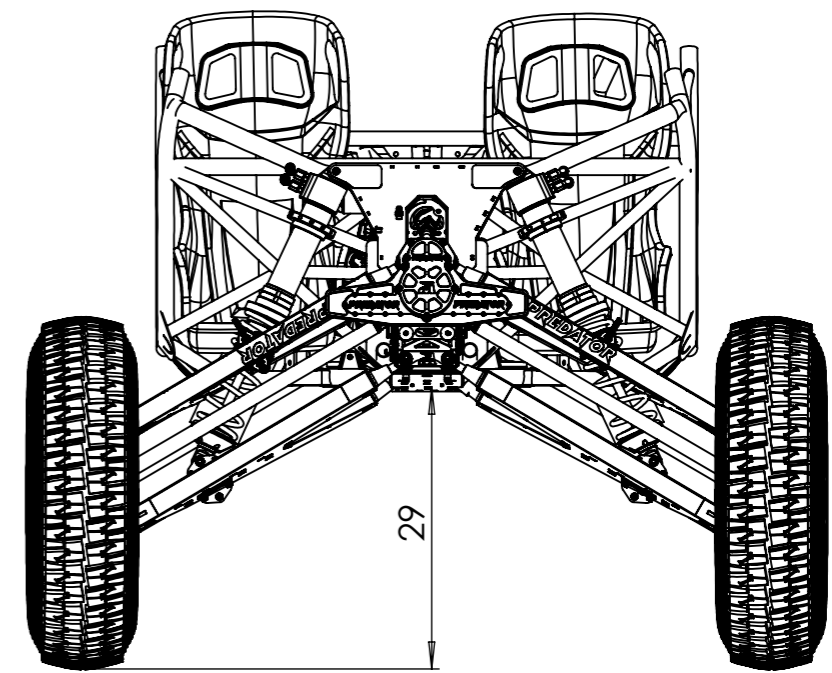
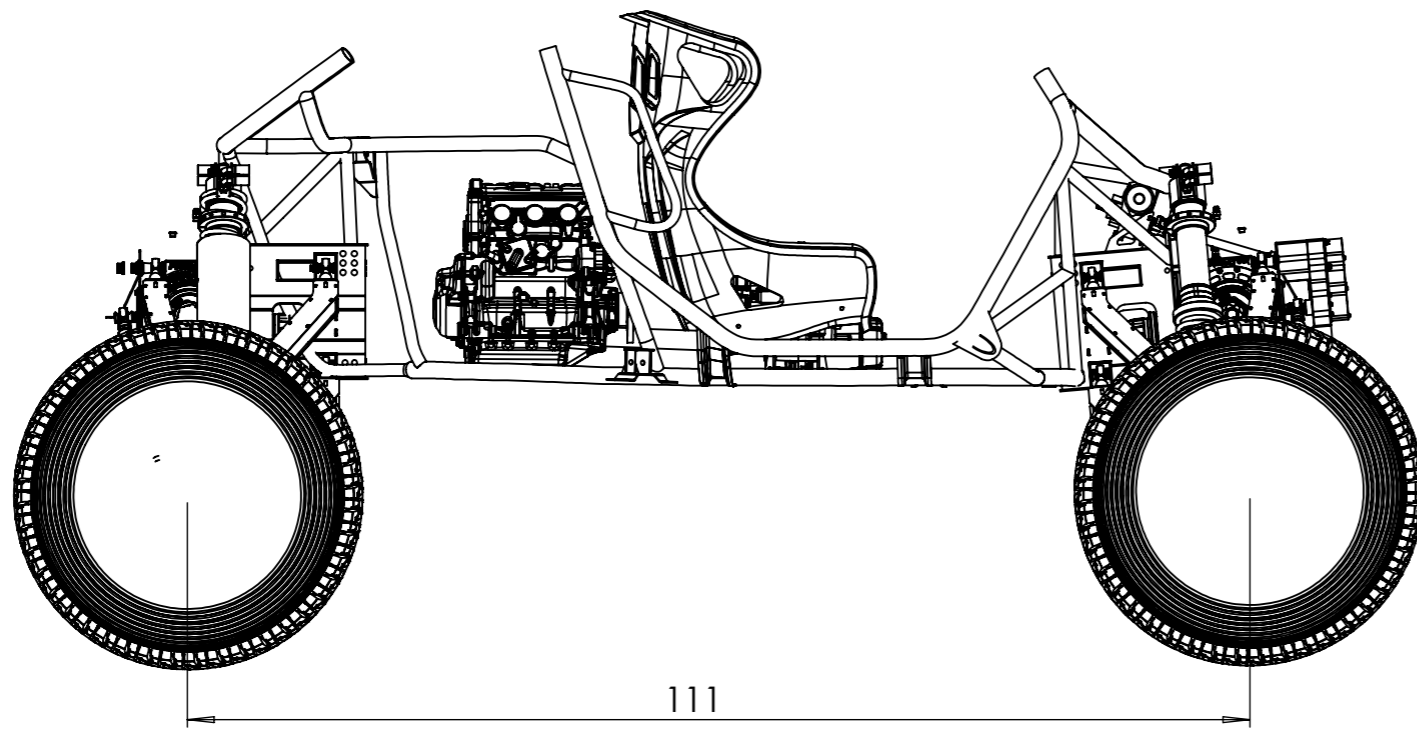


UNLESS OTHERWISE SPECIFIED: DIMENSIONS ARE IN MILLIMETERS SURFACE FINISH: TOLERANCES: LINEAR: ANGULAR:		Heat Treatment:  Finish:	APPLY 0.5 RAD TO ALL TURNED EDGES UNLESS STATED OTHERWISE	<b>PROFORMANCE</b> <sup>®</sup>
REV	DATE	REASON FOR REVISION		TITLE:
01				
02				
03				
04				
	DATE	NAME	MATERIAL:	
DRAWN				
CHK'D				
MFG			WEIGHT: g	
			PART NUMBER: <b>Reaper YXZ Chassis GA</b>	A3
			SCALE:1:20	SHEET 2 OF 11

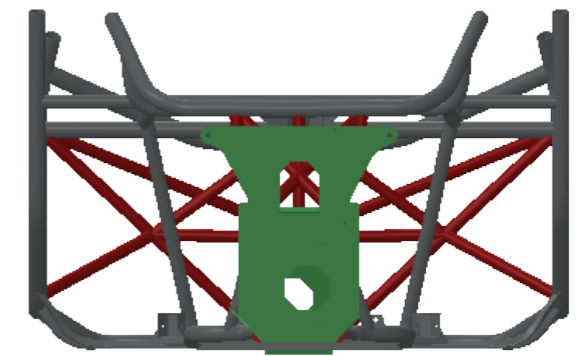
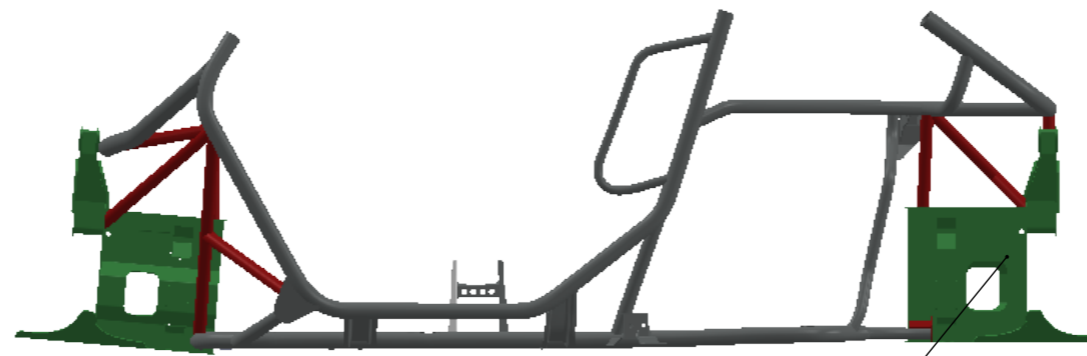
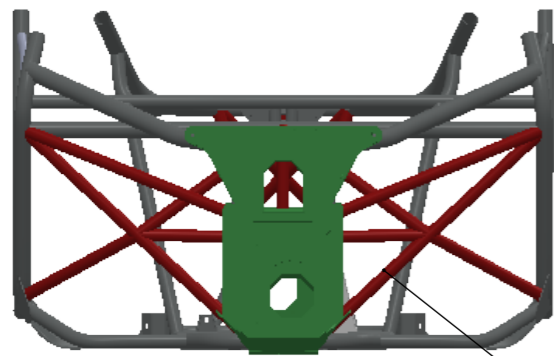
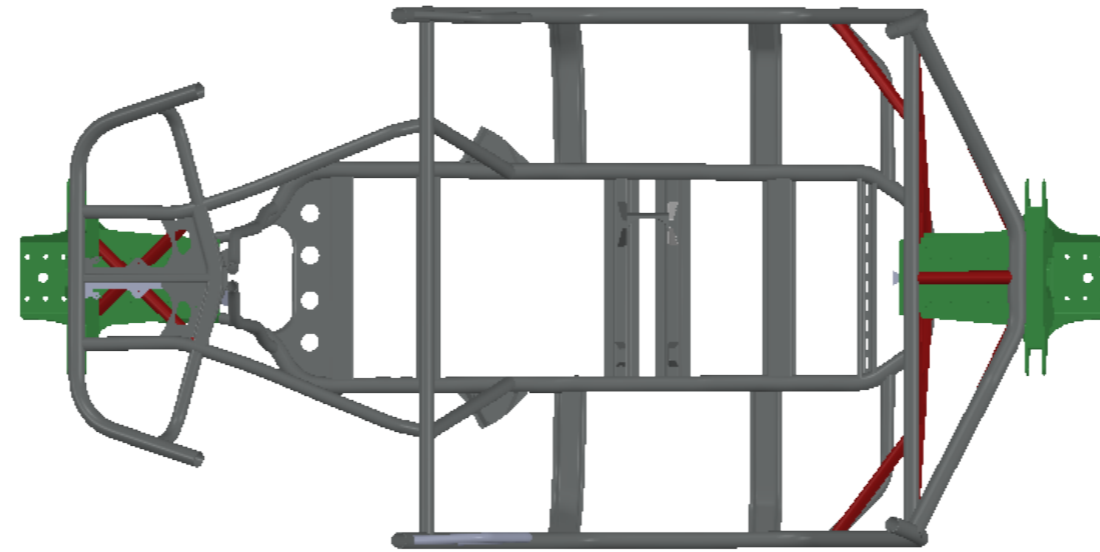


UNLESS OTHERWISE SPECIFIED: DIMENSIONS ARE IN MILLIMETERS SURFACE FINISH: TOLERANCES: LINEAR: ANGULAR:		Heat Treatment:  Finish:	APPLY 0.5 RAD TO ALL TURNED EDGES UNLESS STATED OTHERWISE	<b>PROFORMANCE</b> <sup>®</sup>
REV	DATE	REASON FOR REVISION		TITLE:
01				
02				
03				
04				
	DATE	NAME	MATERIAL:	
DRAWN				<b>PART NUMBER:</b>
CHK'D				<b>Reaper YXZ Chassis GA</b>
MFG			WEIGHT: g	SCALE:1:20
				SHEET 3 OF 11

A3

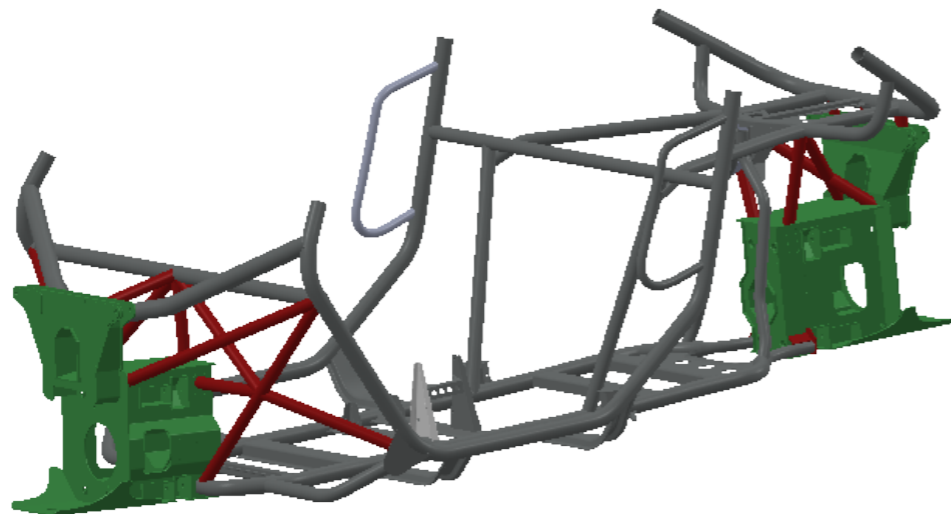


UNLESS OTHERWISE SPECIFIED: DIMENSIONS ARE IN MILLIMETERS SURFACE FINISH: TOLERANCES: LINEAR: ANGULAR:			Heat Treatment:  Finish:	APPLY 0.5 RAD TO ALL TURNED EDGES UNLESS STATED OTHERWISE	<b>PROFORMANCE</b> <sup>®</sup>
REV	DATE	REASON FOR REVISION	TITLE:		
01					
02					
03					
04					
	DATE	NAME	MATERIAL:		
DRAWN				PART NUMBER: Reaper YXZ Chassis GA	
CHK'D					
MFG			WEIGHT: g	SCALE:1:20	A3 SHEET 4 OF 11

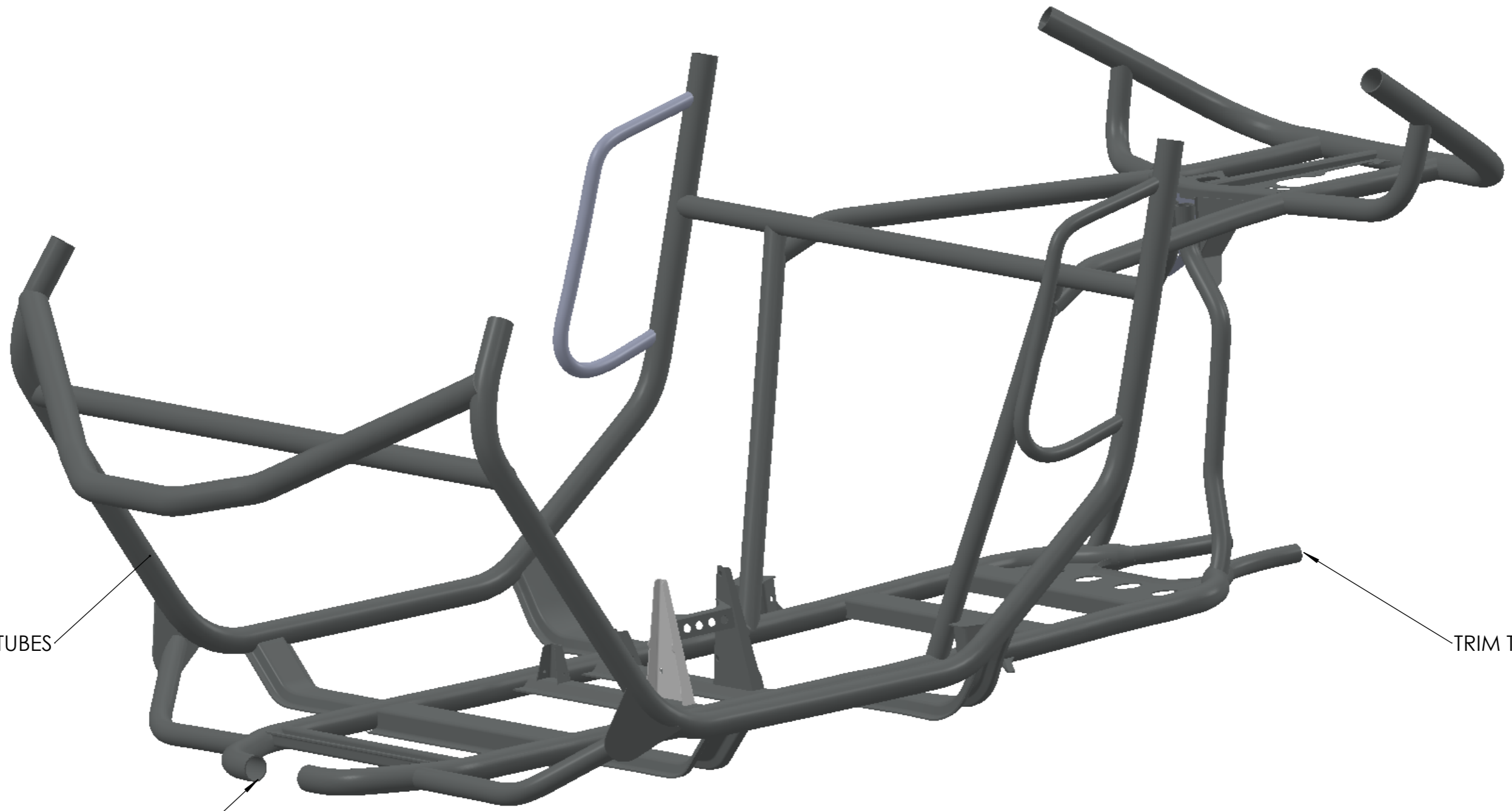


SUPPLIED TUBES (RED)

SUPPLIED BULKHEADS (GREEN)



UNLESS OTHERWISE SPECIFIED: DIMENSIONS ARE IN MILLIMETERS SURFACE FINISH: TOLERANCES: LINEAR: ANGULAR:			Heat Treatment:  Finish:	APPLY 0.5 RAD TO ALL TURNED EDGES UNLESS STATED OTHERWISE	<b>PROFORMANCE</b> <sup>®</sup>
REV	DATE	REASON FOR REVISION		TITLE:	
01					
02					
03					
04					
	DATE	NAME	MATERIAL:	PART NUMBER: <b>Reaper YXZ Chassis GA</b>	
DRAWN				A3	
CHK'D				SCALE:1:20	
MFG			WEIGHT: g	SHEET 5 OF 11	



REMOVE TUBES

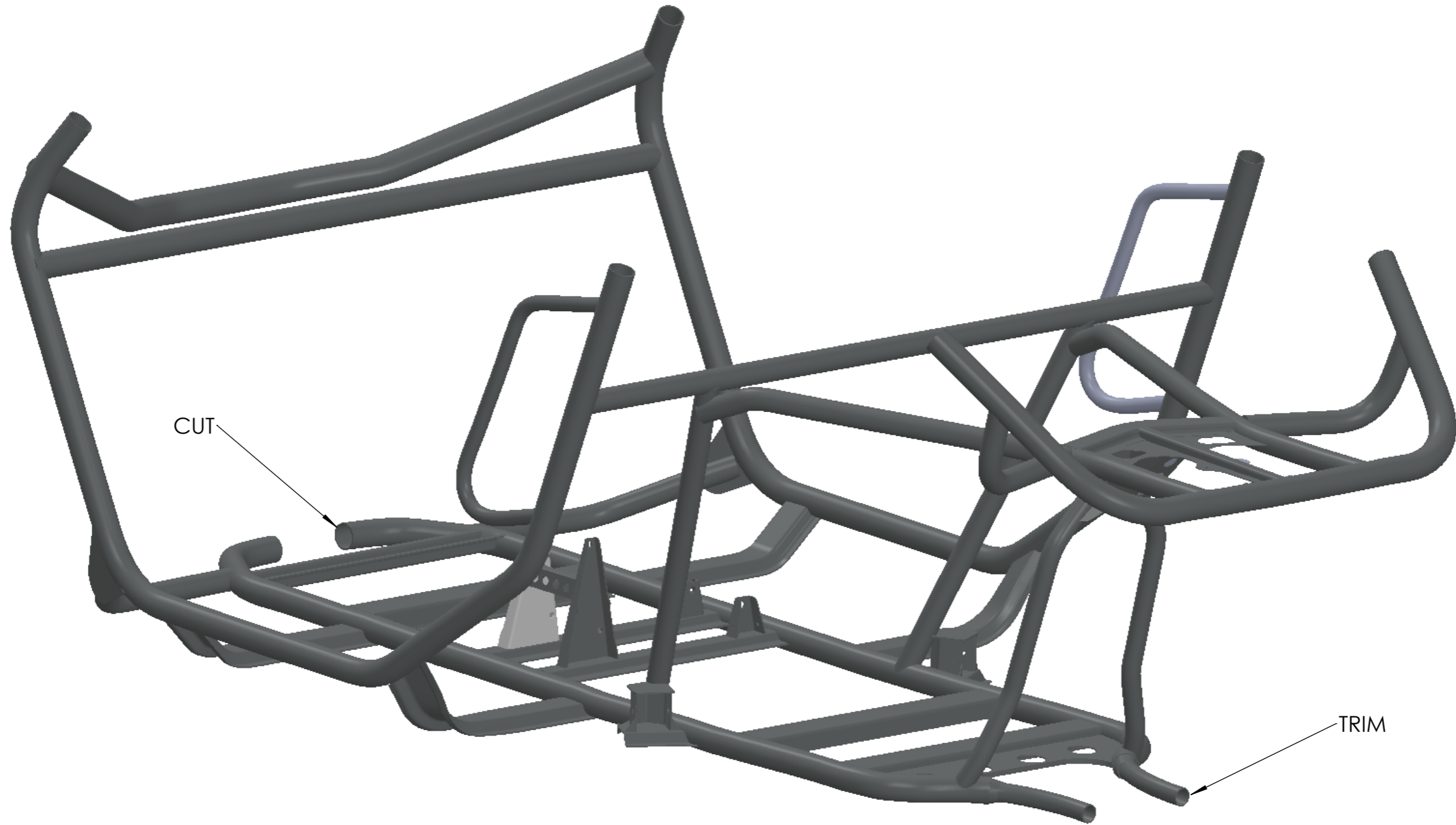
CUT CHASSIS

TRIM TUBES

CUTTING DIMENSIONS SHOWN OVERLEAF

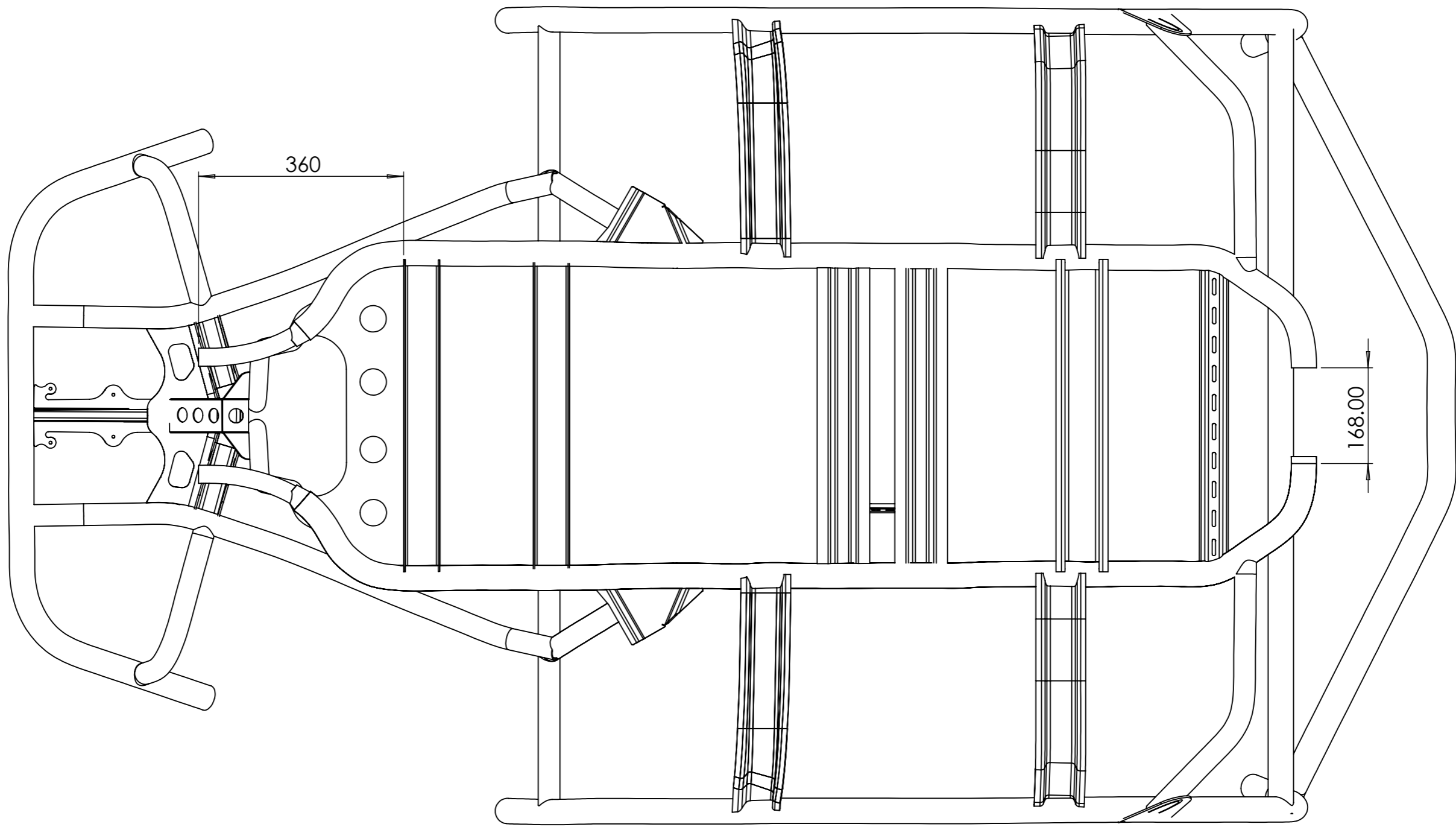


UNLESS OTHERWISE SPECIFIED: DIMENSIONS ARE IN MILLIMETERS SURFACE FINISH: TOLERANCES: LINEAR: ANGULAR:			Heat Treatment:  Finish:	APPLY 0.5 RAD TO ALL TURNED EDGES UNLESS STATED OTHERWISE	<b>PROFORMANCE</b> <sup>®</sup>
REV	DATE	REASON FOR REVISION	TITLE:		
01					
02					
03					
04					
	DATE	NAME	MATERIAL:		PART NUMBER: <b>Reaper YXZ Chassis GA</b>
DRAWN					
CHK'D					
MFG			WEIGHT: g	SCALE:1:20	A3 SHEET 6 OF 11



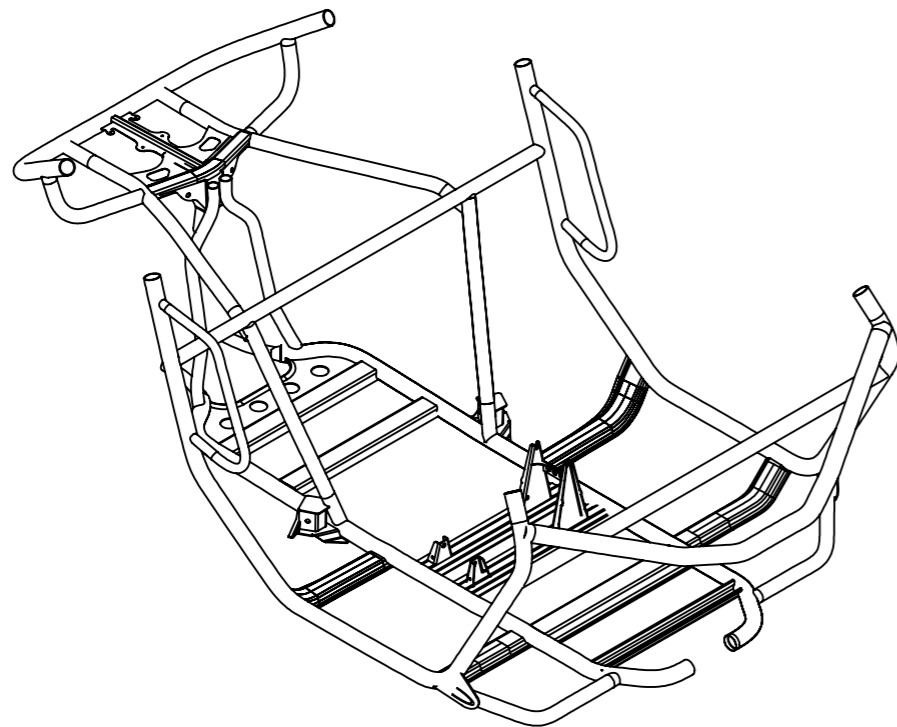
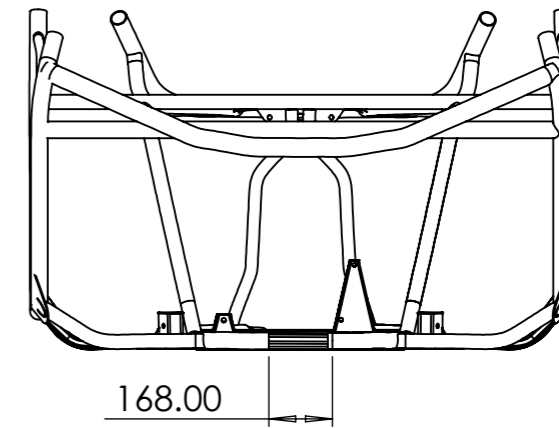
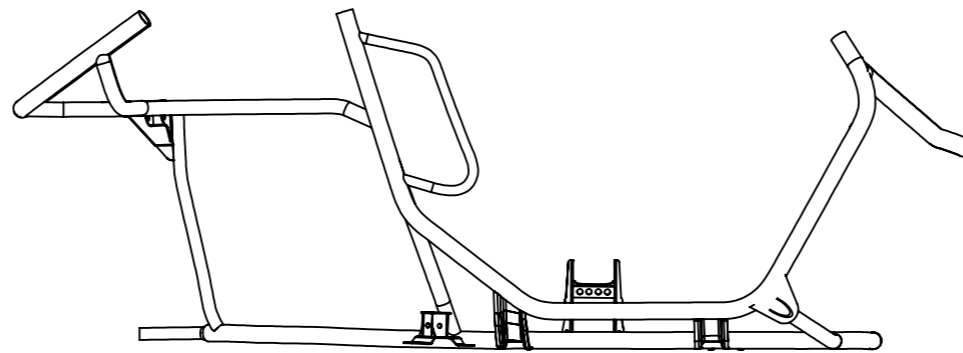
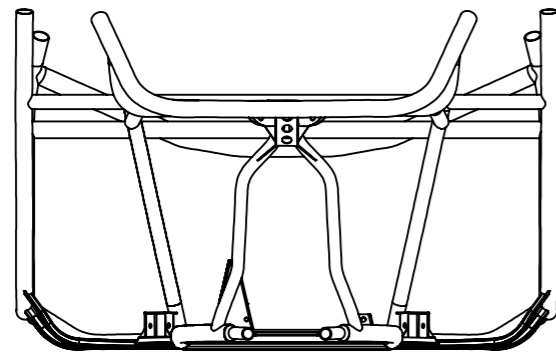
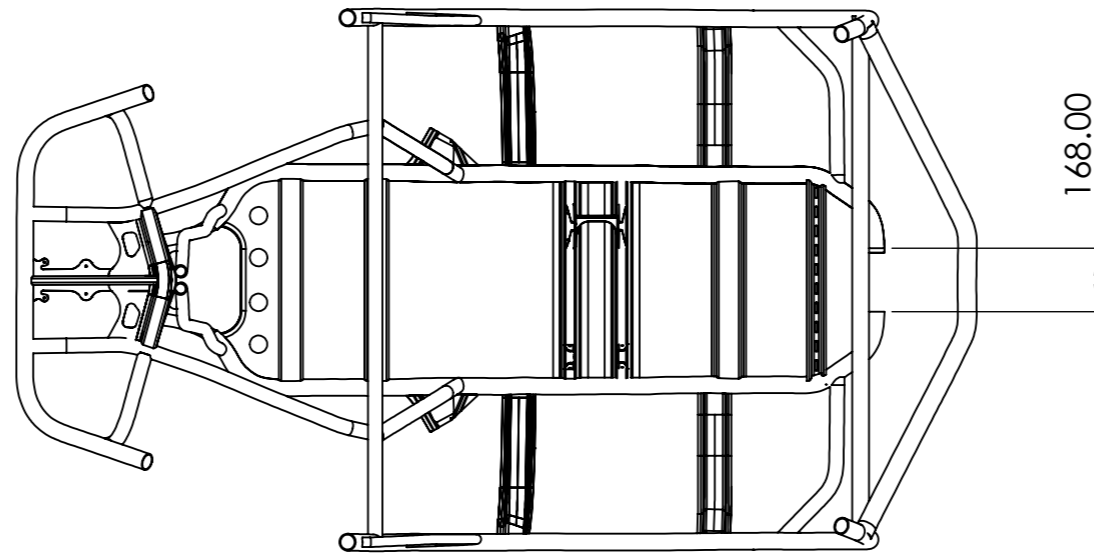
CUTTING DETAILS SHOWN OVERLEAF

UNLESS OTHERWISE SPECIFIED: DIMENSIONS ARE IN MILLIMETERS SURFACE FINISH: TOLERANCES: LINEAR: ANGULAR:			Heat Treatment:  Finish:	APPLY 0.5 RAD TO ALL TURNED EDGES UNLESS STATED OTHERWISE	<b>PROFORMANCE</b> <sup>®</sup>
REV	DATE	REASON FOR REVISION	TITLE:		
01					
02					
03					
04					
	DATE	NAME	MATERIAL:		PART NUMBER: <b>Reaper YXZ Chassis GA</b>
DRAWN					
CHK'D					
MFG			WEIGHT: g	SCALE:1:20	A3 SHEET 7 OF 11

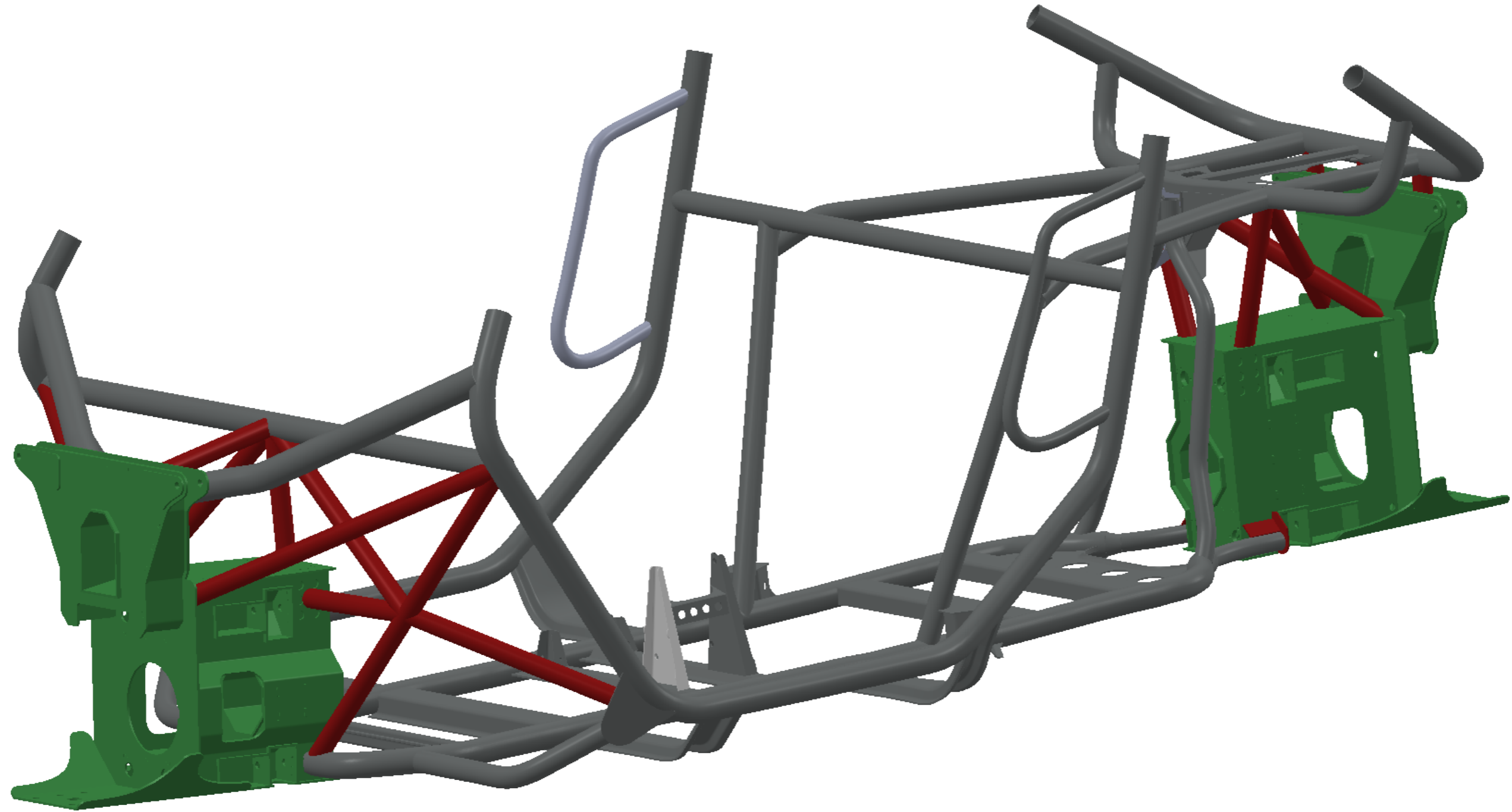


UNLESS OTHERWISE SPECIFIED: DIMENSIONS ARE IN MILLIMETERS SURFACE FINISH: TOLERANCES: LINEAR: ANGULAR:		Heat Treatment:  Finish:	APPLY 0.5 RAD TO ALL TURNED EDGES UNLESS STATED OTHERWISE	<b>PROFORMANCE</b> <sup>®</sup>
REV	DATE	REASON FOR REVISION		TITLE:
01				
02				
03				
04				
	DATE	NAME	MATERIAL:	
DRAWN				
CHK'D				
MFG			WEIGHT: g	
			PART NUMBER: <b>Reaper YXZ Chassis GA</b>	A3
			SCALE:1:20	SHEET 8 OF 11

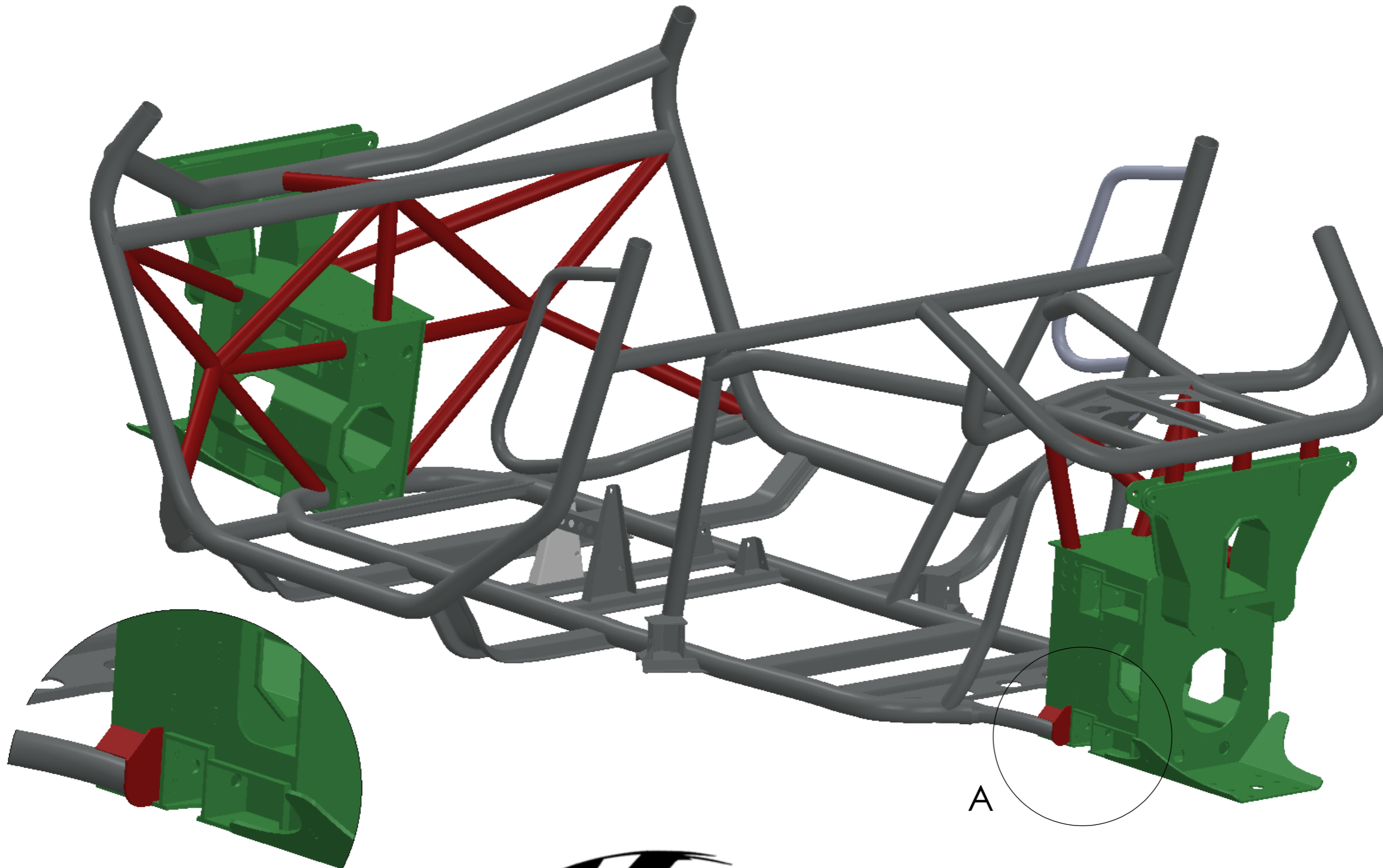




UNLESS OTHERWISE SPECIFIED: DIMENSIONS ARE IN MILLIMETERS SURFACE FINISH: TOLERANCES: LINEAR: ANGULAR:			Heat Treatment:  Finish:	APPLY 0.5 RAD TO ALL TURNED EDGES UNLESS STATED OTHERWISE	<b>PROFORMANCE</b> <sup>®</sup>
REV	DATE	REASON FOR REVISION	TITLE:		
01					
02					
03					
04					
	DATE	NAME	MATERIAL:		PART NUMBER: <b>Reaper YXZ Chassis GA</b>
DRAWN					
CHK'D					
MFG			WEIGHT: g	SCALE:1:20	A3 SHEET 9 OF 11



UNLESS OTHERWISE SPECIFIED: DIMENSIONS ARE IN MILLIMETERS SURFACE FINISH: TOLERANCES: LINEAR: ANGULAR:		Heat Treatment:  Finish:	APPLY 0.5 RAD TO ALL TURNED EDGES UNLESS STATED OTHERWISE	<b>PROFORMANCE</b> <sup>®</sup>
REV	DATE	REASON FOR REVISION		TITLE:
01				
02				
03				
04				
	DATE	NAME	MATERIAL:	
DRAWN				
CHK'D				
MFG			WEIGHT: g	
			PART NUMBER: <b>Reaper YXZ Chassis GA</b>	A3
			SCALE:1:20	SHEET 10 OF 11



UNLESS OTHERWISE SPECIFIED: DIMENSIONS ARE IN MILLIMETERS SURFACE FINISH: TOLERANCES: LINEAR: ANGULAR:			Heat Treatment:  Finish:	APPLY 0.5 RAD TO ALL TURNED EDGES UNLESS STATED OTHERWISE	<b>PROFORMANCE</b> <sup>®</sup>
REV	DATE	REASON FOR REVISION		TITLE:	
01					
02					
03					
04					
	DATE	NAME	MATERIAL:		
DRAWN				PART NUMBER: Reaper YXZ Chassis GA	
CHK'D				SCALE:1:20	
MFG			WEIGHT: g	SHEET 11 OF 11	

A3