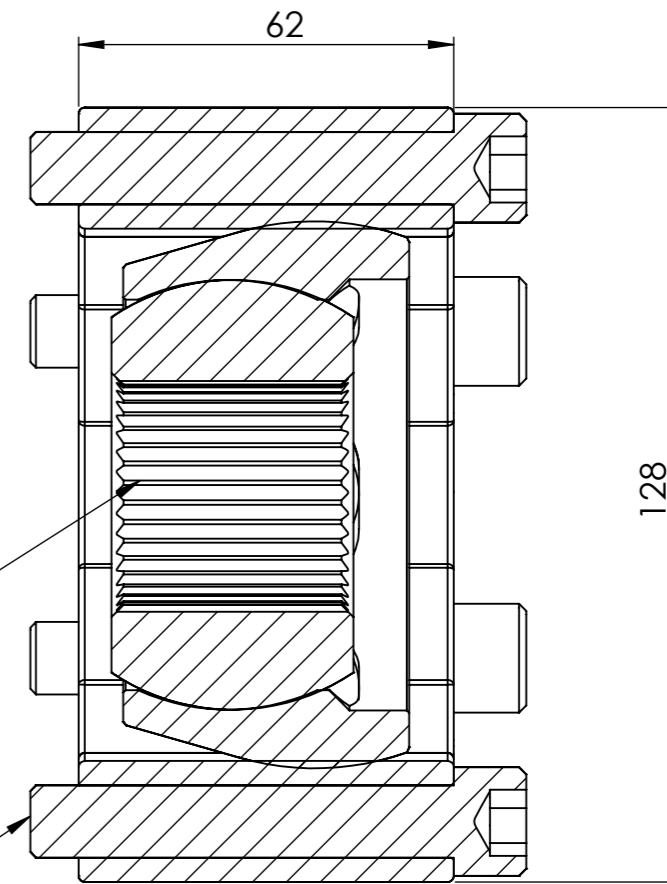
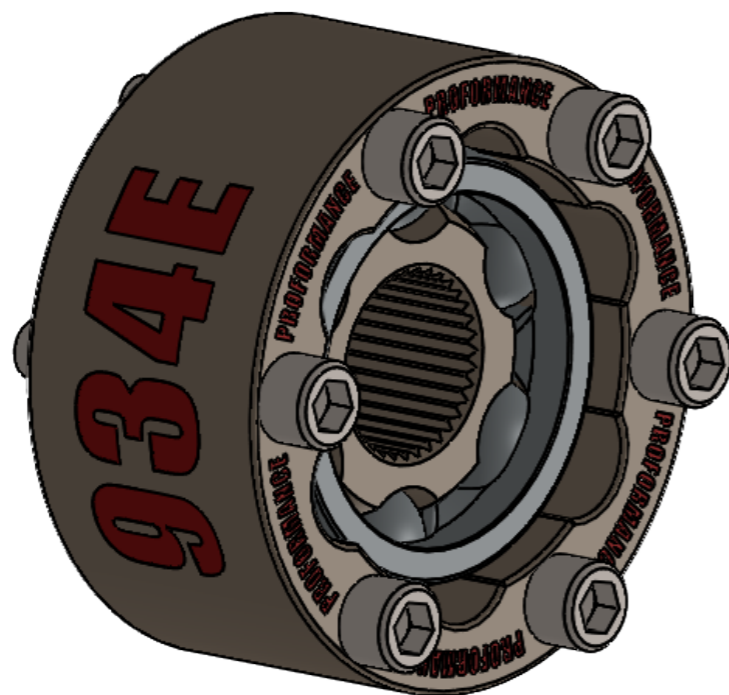


35 Spline
24/48 ANSI
45 Deg PA
(33 Spline Option)

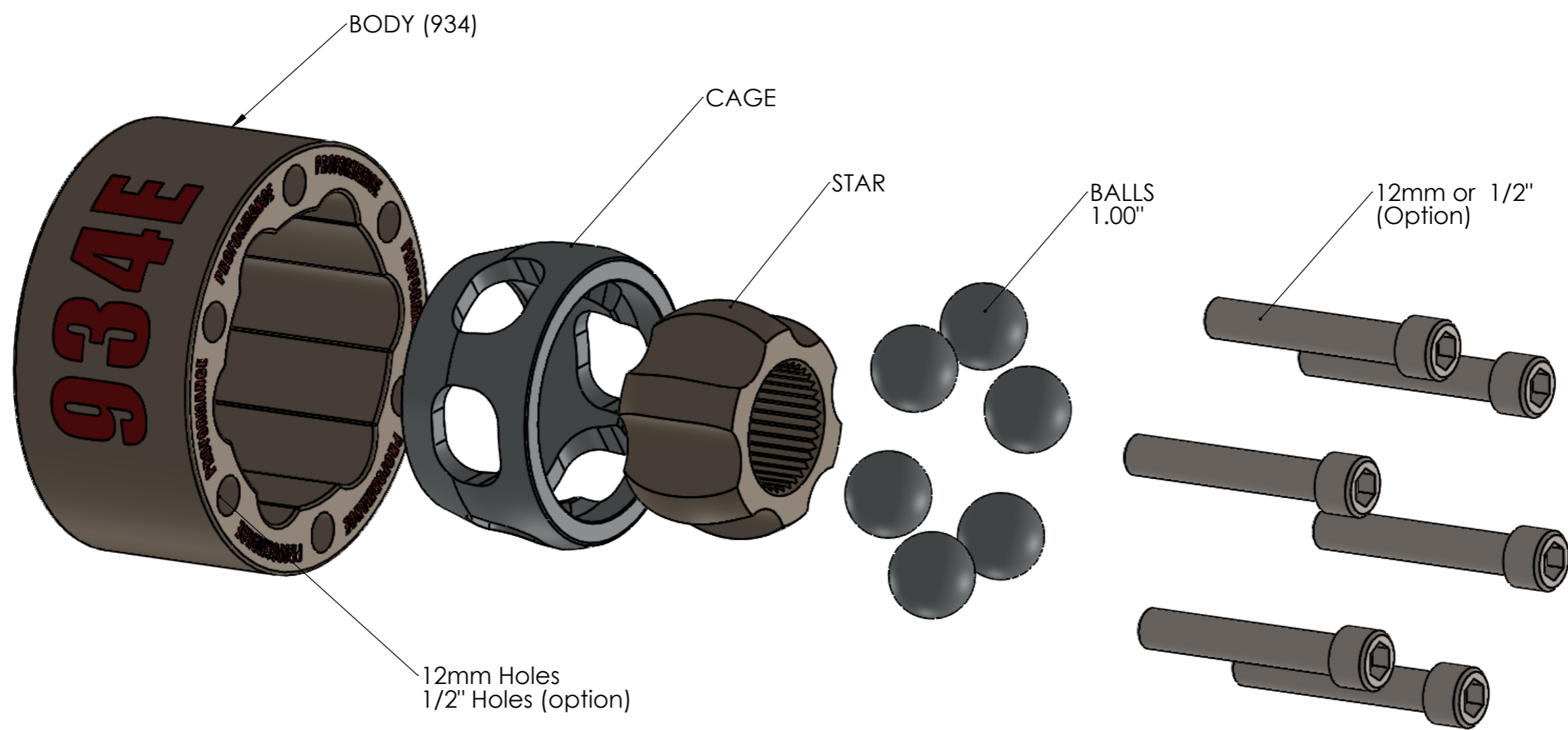
12mm or 1/2"
Holes (Option)



MAX ANGLE 35 Degrees



UNLESS OTHERWISE SPECIFIED: DIMENSIONS ARE IN MILLIMETERS SURFACE FINISH: TOLERANCES: LINEAR: ANGULAR:			Heat Treatment: Finish:	APPLY 0.5 RAD TO ALL TURNED EDGES UNLESS STATED OTHERWISE	PERFORMANCE [®]
REV	DATE	REASON FOR REVISION	TITLE: 934E Extreme Angle Plunging CV Joint - 33/35 Spline		
01					PART NUMBER: - 934E
02					
03					
04					
	DATE	NAME	MATERIAL:		A3
DRAWN					
CHK'D					
MFG			WEIGHT: g	SCALE:1:1	SHEET 1 OF 4



UNLESS OTHERWISE SPECIFIED: DIMENSIONS ARE IN MILLIMETERS SURFACE FINISH: TOLERANCES: LINEAR: ANGULAR:			Heat Treatment: Finish:	APPLY 0.5 RAD TO ALL TURNED EDGES UNLESS STATED OTHERWISE	PROFORMANCE [®]
REV	DATE	REASON FOR REVISION	TITLE: 934E EXTREME ANGLE PLUNGING CV JOINT - 35 DEGREE ANGLE		
01					PART NUMBER: 934 35 Degree CV
02					
03					A3
04					
	DATE	NAME	MATERIAL:		
DRAWN					
CHK'D					
MFG			WEIGHT: g	SCALE:1:1	SHEET 2 OF 4